

## DLA OVERVIEW

The DLA is a Dual Input DMX512 Data Analyzer. Connect any DMX512 source and display any of the 512 channels and the levels currently on those channels, allowing the user to scroll to any channel to view the levels on the respective channels. The (4) buttons: +, -, 10, & 100, allows the user to scroll through the DMX channels for viewing, and displays in either *decimal*, *hex*, *percentage*, or *bar graph* value. The stats menu displays the *packet size*, *start code*, and *rate (amount of packets per second)* of the selected input. The user can easily select the 'A' or 'B' input simply by a front menu selection. The LCD's back light setting is also a menu selection and easily adjusted (no tweaker required) in dark control room environments. The **Auto Dim** feature will automatically change the LCD back light to a user preset value after a user preset timer elapses.

### DLA-HH Portable ONLY

The **Auto Off** feature will enable the unit to turn itself off after a user preset time elapses. If the battery level is low the display will flash the letter 'b', while in the value display mo. This threshold value can be modified, see the HARDWARE SETUP section for more information.

**NOTE - If the unit is powered by battery keep the LCD back light as low as possible and use the auto dim feature to preserve battery life. The recommended setting is 1.**

## CONNECTION

Connect the power supply into the power input connector. Connect a DMX512 source into the A or B input. If a loop through connector is installed either terminate with a 120 ohm terminator or loop to other devices. Insure that input A or B (option) is selected in the menu (*see operation instructions below*), the LCD will display the channels and data on the respective input or "no signal" if a valid DMX signal is not present. The DLA can be connected or inserted anywhere on the DMX512 daisy chain. (*For the DLA-HH, If the loop out connector is not used always turn ON the terminate switch, if the loop out is connected turn OFF the terminate switch. For the DLA unit use a 120 ohm terminator if the loop out is not used.*)

## OPERATION

Once a DMX512 signal is established, any of the 512 channels and levels can be displayed. To display the desired channel press the '+' to scroll to a higher channel one channel at a time or '-' to scroll one lower channel one at a time. Press the '10' or '100' button to scroll in addition to the left most channel in the display by 10 or 100 respectively. By holding the '-' button and pressing 10 or 100, the display will scroll in subtraction to the left most channel. The levels of each channel are updated several times per second and will display the latest value.

To enter the **stats menu** press the **Stats** buttons ('+' and '-') simultaneously. To escape and return to the DMX512 channel display, press the 'Esc (10) button.

To enter the **setup menu** press the **Setup** buttons ('10' and '100') simultaneously. On each menu use the '+' or '-' button to change the values. Press Next (100) to go to the next menu setting, or press Esc (10) to return exit the setup menu. *Note - Esc and Next will permanently store the value set until changed.* See the **DLA Menu Flow Charts** for setup menu options.

### DLA-HH Portable ONLY

To power the unit press the power button on the right side. Set the Auto Off feature on/off and set the timer value to the desired setting.

## HARDWARE SETUP

The DLA the hardware configuration is factory preset and typically doesn't need to be changed. For the DLA-HH which can be battery operated, the Auto Off and Voltage Monitor option is determined by hardware connected to the main PCB's J4 connector. If any of these features are added settings can be changed by entering the Setup Hardware Equipped Menu by holding the "+" button and power the unit on. On each menu use the '+' or '-' button to change the values. Press Next (100) to go to the next menu setting, or press Esc (10) to exit the setup menu. *Note - Esc and Next will permanently store the value set until changed.* See the **DLA Menu Flow Charts** for setup menu options. The Voltage Threshold setting is a numeric value indicating the voltage level and lower value that will cause the 'low battery' or 'b' to be displayed. This value is factory preset (813) and should stay in a range of 800 (apx. 6.83 Battery Volts) to 1071 (apx. 9 Battery Volts).

*Formula:  $[ (A * 15.25\%) / .00122 = X ]$  or  $[ (X * .00122) / 15.25\% ] = A$  Where A is the threshold voltage and X is the numeric value. (5/4096 = .00122V per step) (.43V drop across auto switch) .*

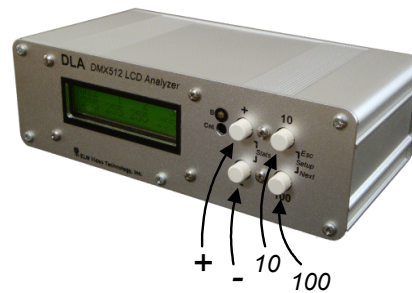
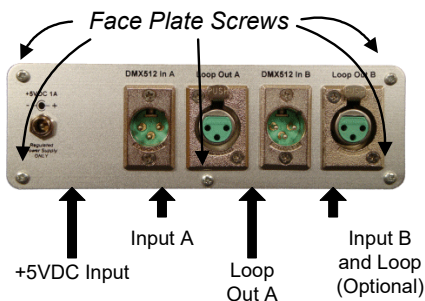
**NOTE-ACTIVATING SOFTWARE FEATURES WITHOUT THE HARDWARE ATTACHED MAY CAUSE ERRATIC BEHAVIOR.**

### DLA-HH (PORTABLE) LAYOUT



*For battery replacement, remove the 6 screws from the back of the unit and remove the back cover. Replace the battery's and carefully replace the back cover insuring that the internal wires are clear from the joining covers.*

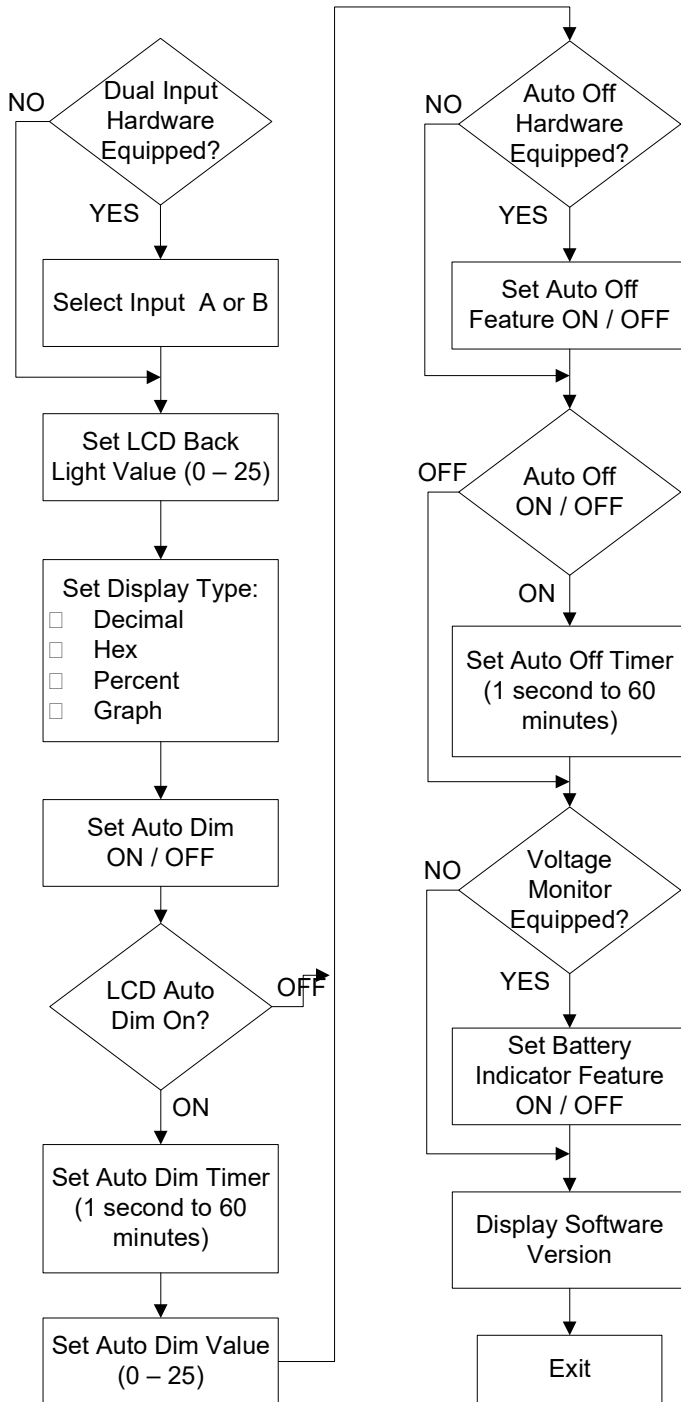
### DLA CHASSIS LAYOUT



## DLA MENU FLOW CHARTS

### Setup Menu

(press "10" & "100")



### Setup Hardware Equipped Menu

(press & hold "+" + "power on")

