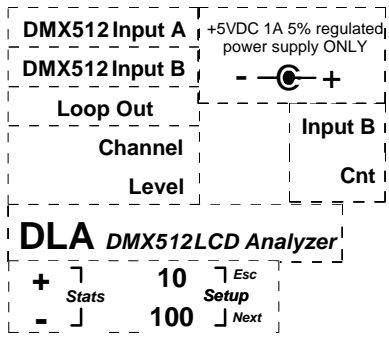


DLA Labels



DMX512 Input A

+5VDC 1A 5% regulated
power supply ONLY

DMX512 Input B

- ⊕ +

Loop Out

Channel

Level

Input B

Cnt

DLA DMX512LCD Analyzer

+

Stats

10

Esc

Setup

-

Next

100

Next