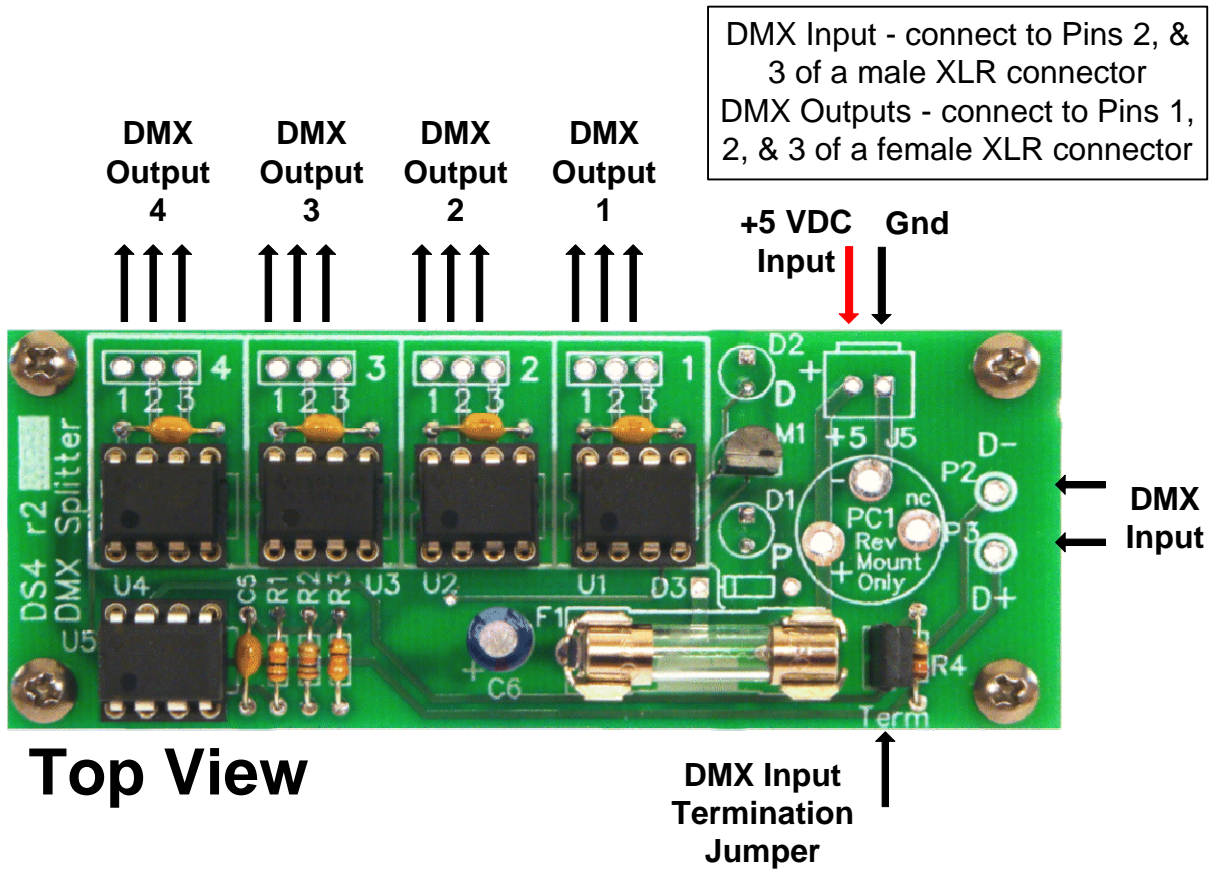




ELM Video Technology, Inc.

"Innovative Midi and DMX Products"
Http://elmvideotechnology.com

DS4 PCB Connection Diagram



Side View

