

### DESCRIPTION

The DCRD-PCB is a DMX input channel reassignment module. Easily reassigns the DMX start channel of a fixture or DMX device that either has a difficult to set dip switch, or doesn't have a user settable DMX channel option. Designed to mount inside a DMX device (custom cutouts needed for external access). Simply loop the DMX input data through the DCRD module, set the original device to channel 1 (if available to do so), then apply power, set the channel via the up/down switches, and operate as normal.

#### FEATURES:

- Engineered with quality parts and a reliable design
- Assign the DMX start address channel to any of the 512 channels to any DMX device
- Optional 5V or 12VDC power option (factory set)
- Screw terminals installed for easy connection
- Optional off board screw terminal connections for external up/down switch installation (recommended for industrial or outdoor DMX equipment where a more robust switch is needed)
- Set DMX output levels if no DMX Data is present – still control the output or fixture brightness without DMX connected
- Dimmable display

### OPERATION

WITH A VALID DMX INPUT: To set the DMX channel - Tap either UP or DOWN to initiate a DMX channel (start address) reassign command, the current display channel will blink. Set the desired channel by tapping UP or DOWN to increment or decrement one at a time, or hold to change the channel setting rapidly. When released, the display will blink for 3 seconds, stop blinking, and will then engage the new channel. Also, to set the BRIGHTNESS and/or SEGMENT CHECK, from the Level mode press and hold both buttons for apx 2 seconds until "bri" is displayed, then set the brightness as desired and release. The new value will be stored.

WITHOUT A VALID DMX INPUT: If no DMX signal is present the DCRD unit will enter the "Level" mode, indicated by either "L" as the left most digit or "FUL" for full, and sends a preset DMX value out on all 512 DMX channels (minus DMX start channel set). To change the level press (optionally hold) the up or down button to adjust/set the output. Release and after 3 seconds the new value will be stored. If re-powered the last value will be recalled. Also, the DMX channel can be set without a DMX signal present. Press and hold both up/down for 2 seconds and then release once the DMX channel is blinking. Select the new channel and release, the new channel will be stored and return to the Level mode. Also, to set the BRIGHTNESS and/or SEGMENT CHECK, from the Level mode press and hold both buttons for apx 6 seconds until "bri" is displayed, then set the brightness as desired and release. The new value will be stored.

*NOTE: If the connected DMX device has a dip switch or other means of setting the DMX start channel, set it to DMX channel 1, allowing the DCRD-PCB to reassign the DMX channel correctly.*

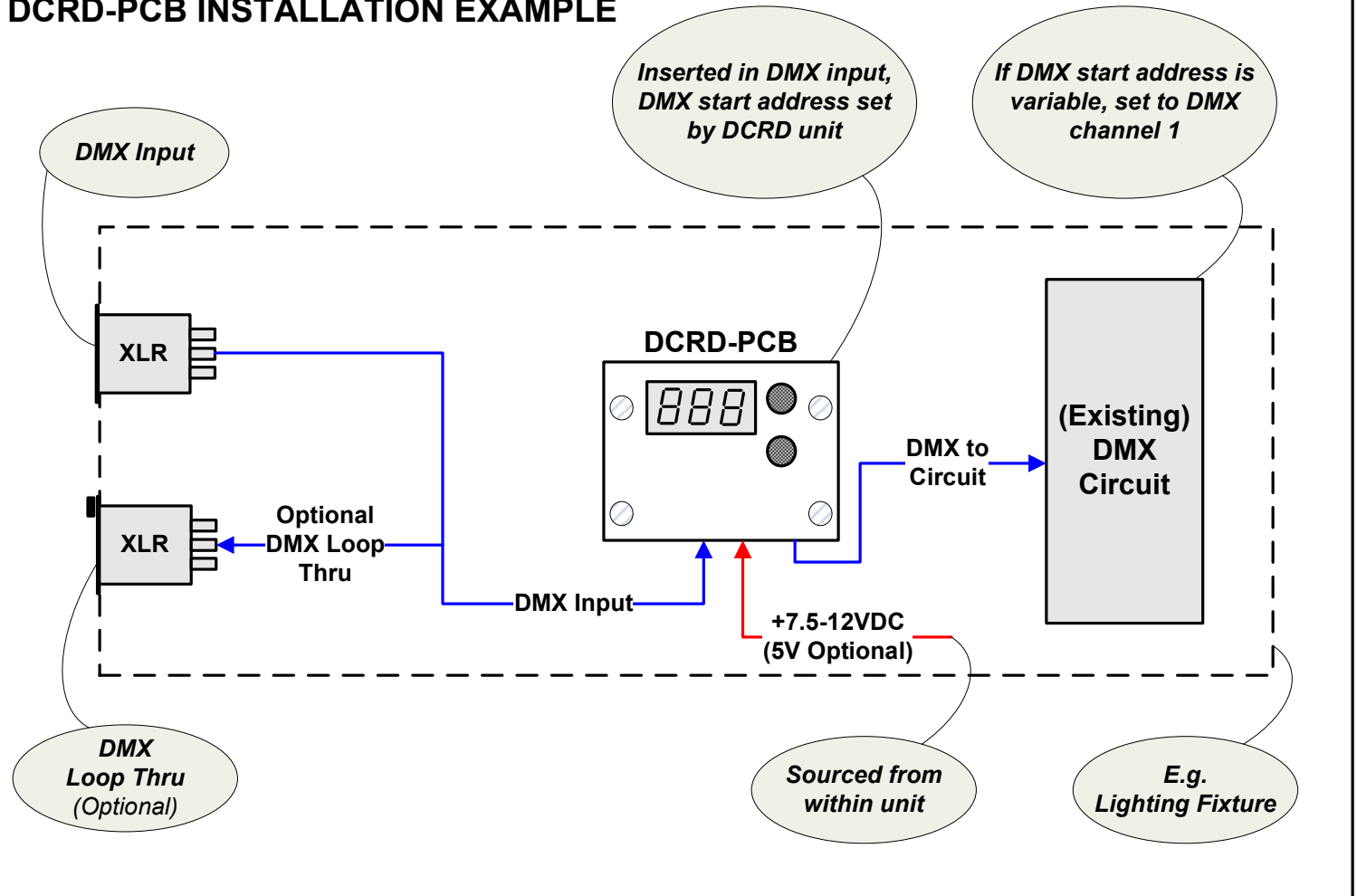


# DCRD Installation Guide (V1.02)

DMX Channel Reassign with 7 Segment Display



## DCRD-PCB INSTALLATION EXAMPLE



## DCRD-PCB INSTALLATION INSTRUCTIONS

1. Using the drill template, create the necessary cutouts for the 2 buttons (if installed), 7 segment display, and the 4 mounting screws in the enclosure. Insure there is enough clearance with the unit closed.
2. Connect the DMX input wires (from the XLR connector if applicable) to the input terminals of the DCRD-PCB. Connect pin 2 of the XLR to the terminal labeled "2", and pin 3 to "3".
3. If a loop thru DMX connector is installed, maintain the existing wire connections. Set the "TERM" dip switch to the OFF position. If there is NOT a loop thru DMX connector, set the "TERM" dip switch to the ON position to properly terminate the DMX signal.
4. Connect the DMX output wires from the DCRD-PCB labeled "2" and "3" to the DMX input to the device maintaining the polarity.
5. The DCRD-PCB is factory set for +5VDC or +12VDC, insure that the device being used has the proper voltage, and can supply an additional 120mA of current. Add 2 power wires, Gnd and the +5VDC OR +12VDC power connections appropriately from the (existing) power source to the DCRD-PCB "PWR IN" terminals.
6. If the DCRD-PCB onboard tact switches are not installed;
  - Add a Gnd wire to both switches from DCRD-PCB terminal "G" (loop from switch 1 to switch 2 if desired)
  - Add a wire from the "UP" switch to the DCRD-PCB terminal "U"
  - Add a wire from the "DN" switch to the DCRD-PCB terminal "D"
7. Test for proper power and operation

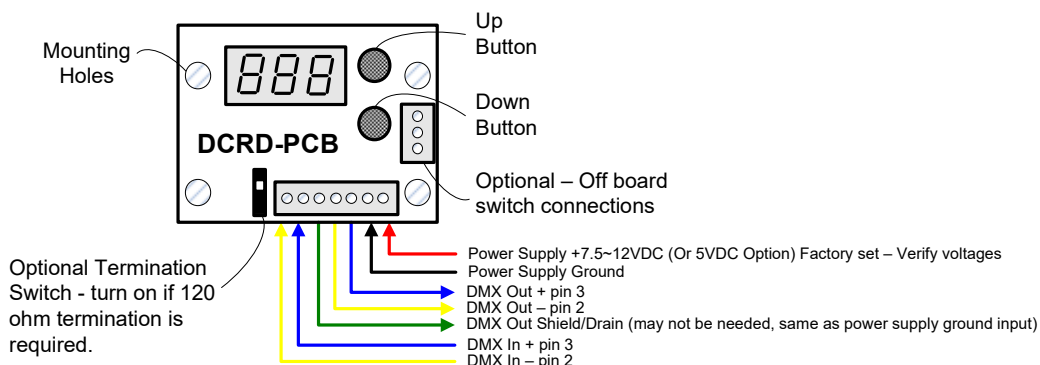


# DCRD Installation Guide (V1.02)

DMX Channel Reassign with 7 Segment Display



## DCRD-PCB WIRING DIAGRAM



## DCRD-PCB SPECIFICATIONS

- DMX CONTROL WARNING: NEVER use DMX data devices where human safety must be maintained.
- NEVER use DMX data devices for pyrotechnics or similar controls.
- Manufacturer: ELM Video Technology
- MPN: DCRD-PCB
- DMX Data: 250 kHz
- Voltage Input: Regulated +12VDC or +5VDC – Factory Set
- Current Input: 120mA (apx)
- Data Input: DMX512, [Pin 2 Data -, Pin 3 Data +]
- Data Output: DMX512, [Pin 1 - Power supply common, Pin 2 Data -, Pin 3 Data +]
- Dimensions: 2" W x 1.5" L x .95" H (top of tact switches)
- PCB Fuse: SMT - 500mA
- Standoff Height: .25" (7 Segment display mounts flush to surface)
- Button Height above standoff: .3"

