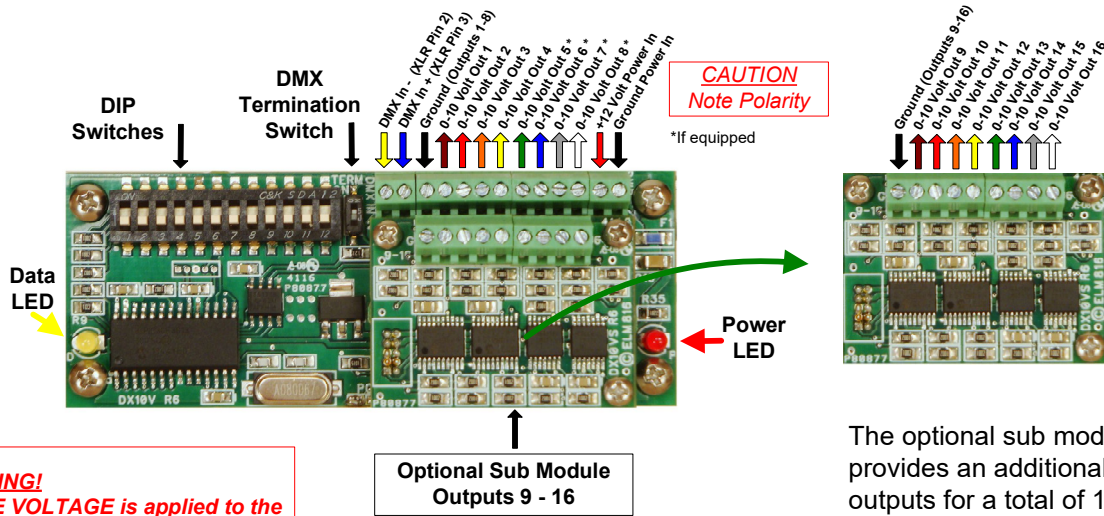


DX10V V6 PCB Connection Diagram

DIP SWITCH LEGEND

RESET REQUIRED

- 1-9 DMX Start Channel
- 10 Switch Mode
OFF=Variable
ON=Switch
- 11 Stand Alone Mode
OFF=All outputs off
ON=All outputs on
- 12 Hardware Initialization
OFF=Normal operation
ON=Initialize



WARNING!
Damage will result if REVERSE VOLTAGE is applied to the input voltage terminals. Take great care that the +12V and Gnd connections are connected as marked on the PCB!

The optional sub module provides an additional 8 outputs for a total of 16.