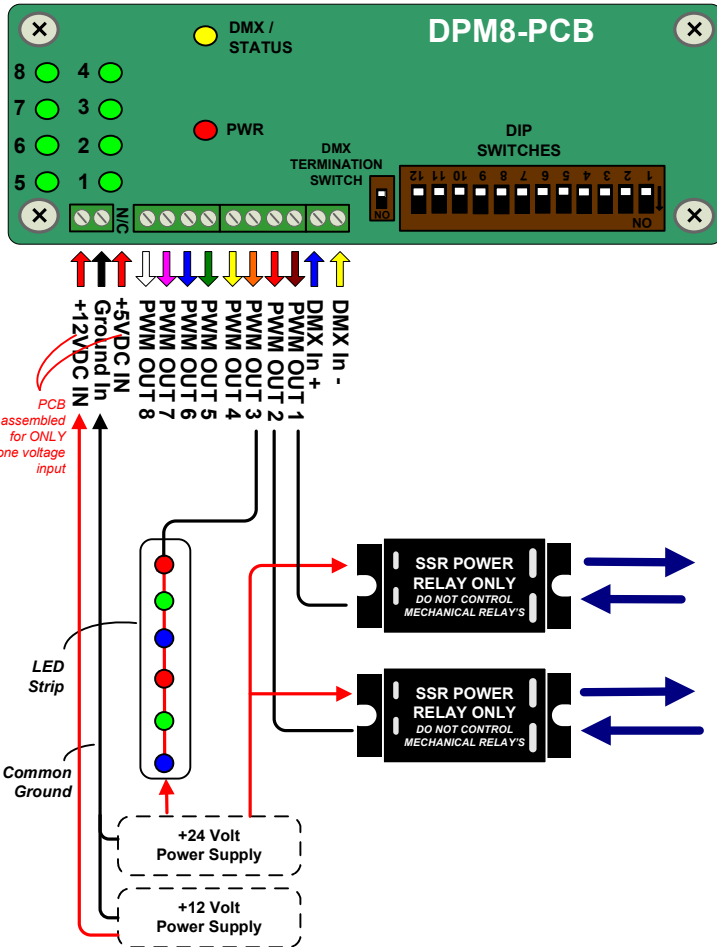


# DPM8-PCB DMX to PWM Controller Driver Connection Diagram Example

## EXAMPLE: Ground Drive



## EXAMPLE: Positive Control Voltage

