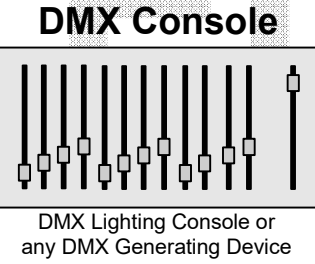
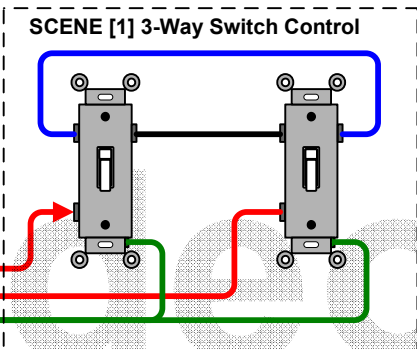
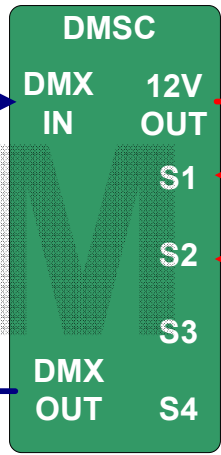


DX10V-RL 0-10V Converter w Relay, DMSC Wall Switch Controller with 3 Way Switches Wiring Diagram Example

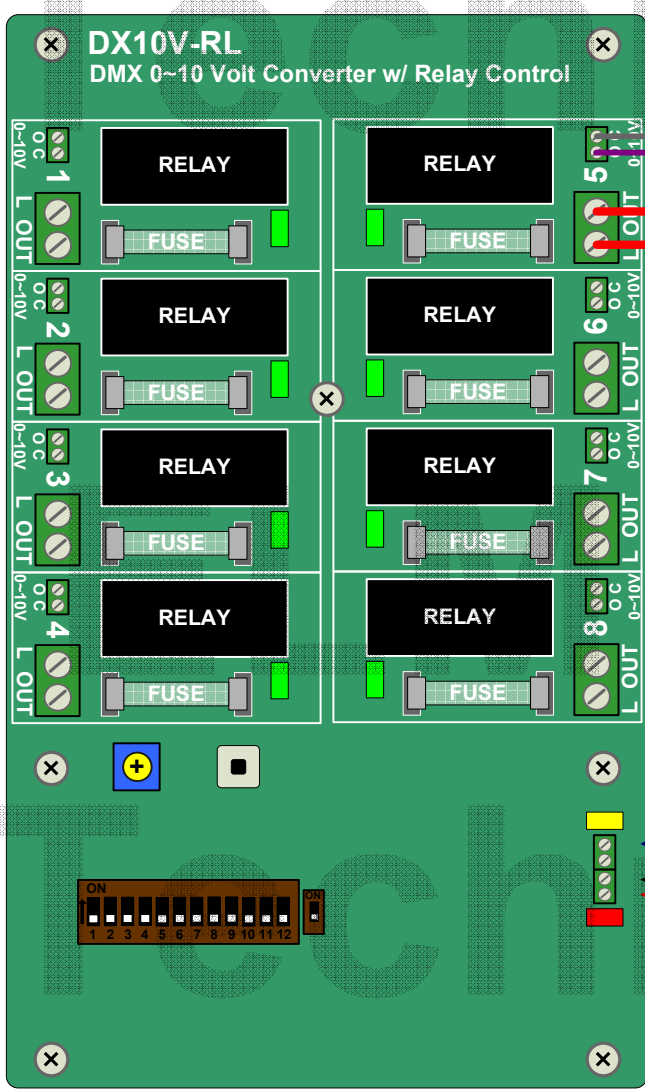
With DMX console active the switch inputs are ignored (optionally). By turning off the DMX console the scene switches are active, with HTP (highest takes precedence) merging.



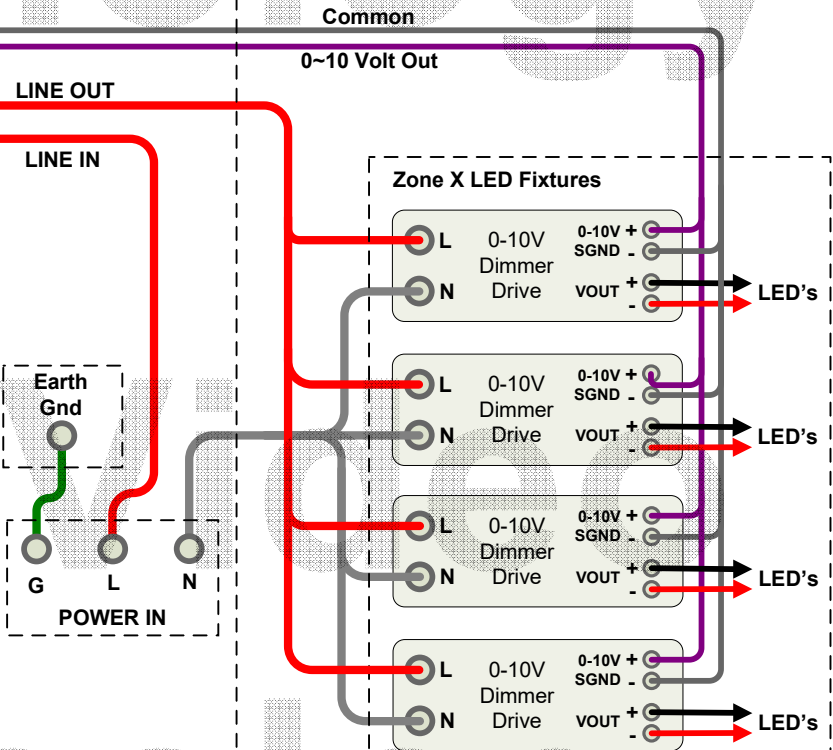
i.e. CONTROL BOOTH



Use 2, 3, or 4 way switches as needed



i.e. ELECTRICAL CLOSET



Power Supply Gnd +12 Volt Power In