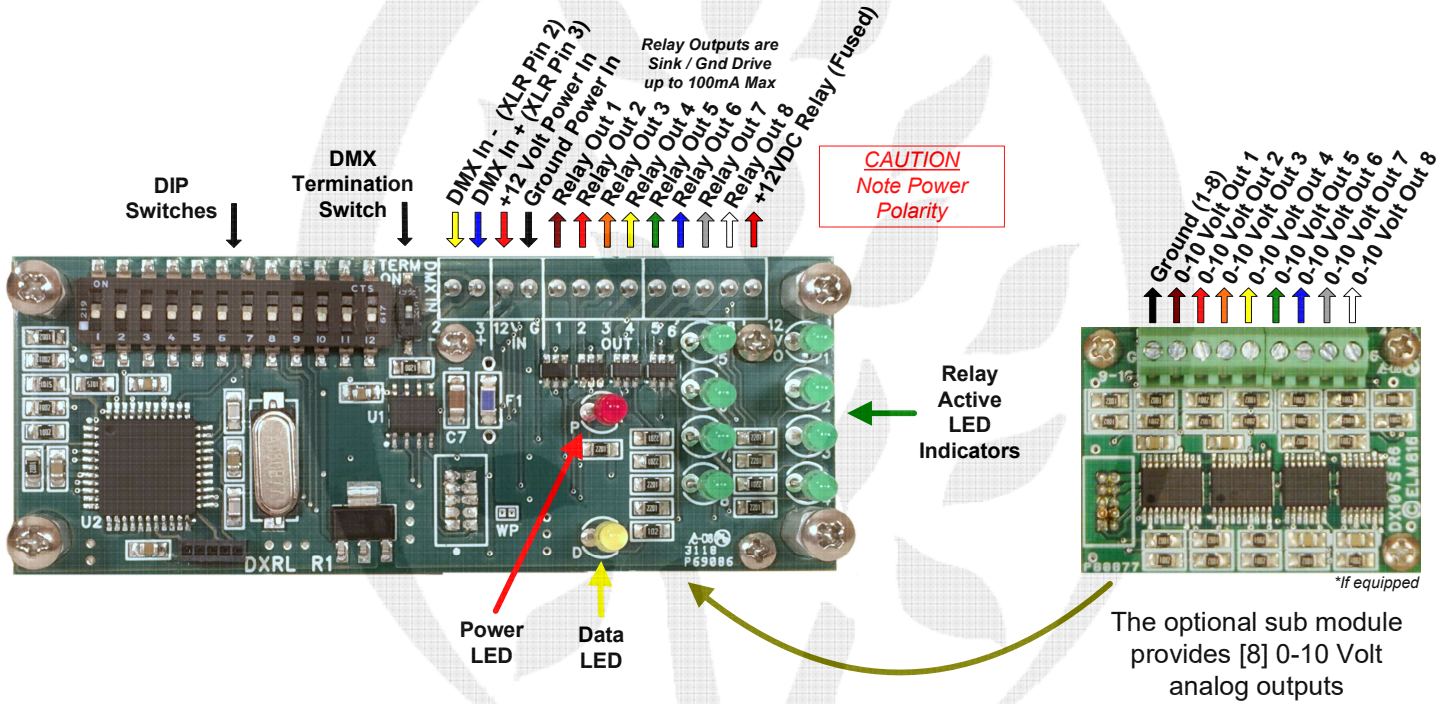


DXRL R1 PCB Connection Diagram



- DIP SWITCH LEGEND**
RESET REQUIRED
- 1-9 DMX Start Channel
 - 10 THRESHOLD
OFF=5%
ON=50%
 - 11 Stand Alone Mode
OFF=All outputs off
ON=All Outputs Fully On
 - 12 INITIALIZE

DXRL-PCB Specifications



**ELM Video
Technology, Inc.**

www.elmvideotechnology.com

- **DMX CONTROL WARNING:** NEVER use DMX data devices where human safety must be maintained. NEVER use DMX data devices for pyrotechnics or similar controls.
- **MANUFACTURER:** ELM Video Technology
- **PRODUCT NAME:** DMX Relay Driver PCB with optional 0-10 Volt Controller
- **DESCRIPTION:** The DXRL converts a DMX-512 input to relay control with optional corresponding variable 0 to 10 volt analog outputs.
- **MPN:** DXRL-PCB-8C-0-10V
- **MODEL:** DXRL-PCB
- **+12VDC INPUT FUSE:** PCB +12VDC - SMT 2A Slow
- **+12VDC RELAY POWER OUTPUT FUSE:** PCB SMT 1A Slow
- **POWER INPUT CURRENT:** 1030mA (65mA + [8] relay's closed at 100mA ea, + [8] 0~10 volt outputs at 20mA)
- **RELAY OUTPUT CURRENT:** SINK/GROUND Drive at 100mA Max each

- [Optional] 0~10V SOURCE OUTPUT CURRENT: 20mA Max each (500 ohm minimum load)
- [Optional] 0~10V SINK OUTPUT CURRENT: 10mA Max each

- **DATA TYPE:** DMX512 (250Khz) [Pin 1 Shield (not connected on input), Pin 2 Data -, Pin 3 Data +]
- **PCB DIMENSIONS:** 1.3" Length x 3.4" Width x .6" Height (including standoffs)
- **WEIGHT:** 2 ounces
- **AMBIENT TEMPERATURE MAX:** 32°F to 85°F
- **PCB OPERATING TEMPERATURE MAX:** 32°F to 125°F (Air cool if necessary)
- **STORAGE TEMPERATURE:** 32°F to 120°F
- **HUMIDITY:** Non condensing

- **UL LISTINGS:** +12VDC power supply and pre populated PCB are UL listed, (populated PCB: NO)

*In God
We
Trust!*

