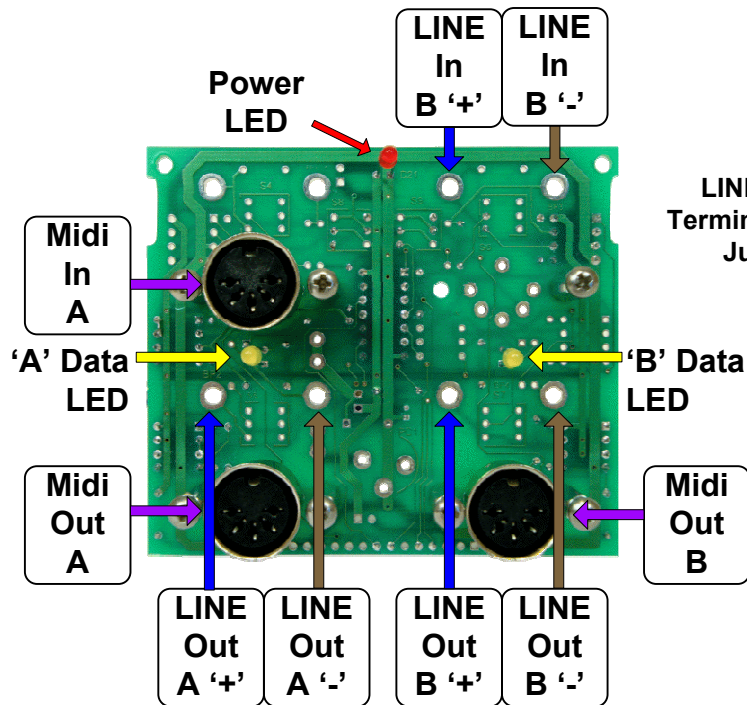


MLC-PCB-SLM Connection Diagram

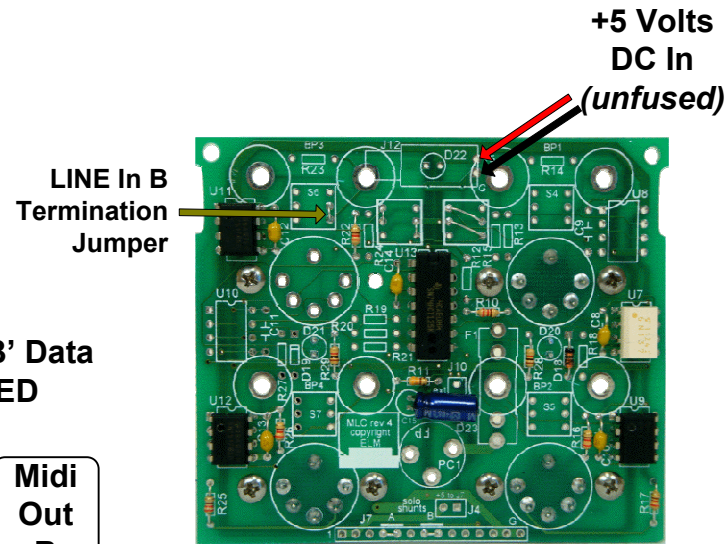


**ELM Video
Technology, Inc.**

Top View



Back View



WARNING! Damage may result if REVERSE VOLTAGE is applied to the input voltage terminals. Take great care that the +5V and Gnd connections are connected as marked on the PCB!

Use the "DRILL TEMPLATE & WIRING DIAGRAM " for wiring and enclosure installation instructions.

Solder the LINE input and output PCB connections to enclosure connectors, maintaining the polarity as shown. Solder the +5VDC input wires to the PCB as shown and connect to a +5VDC fused and regulated power supply. VERIFY THE +5VDC POWER IS WIRED CORRECTLY AND THAT THE POLARITY IS CORRECT BEFORE APPLYING POWER. Mount the PCB in a predrilled enclosure or panel.